

LATEST TRENDS IN

IN-SITU AND CORRELATIVE

ELECTRON MICROSCOPY

CONFERENCE & WORKSHOP (ICEM) 2025

2nd – 4th June 2025

B | R | N | O |

The conference ICEM 2025 is a topically aimed conference combined with workshops organized in the **Brno region, the world centre of electron microscopy**. The conference is organized by The Institute of Scientific Instruments, The Czech Academy of Science (ISI CAS).

The focus of ICEM 2025:

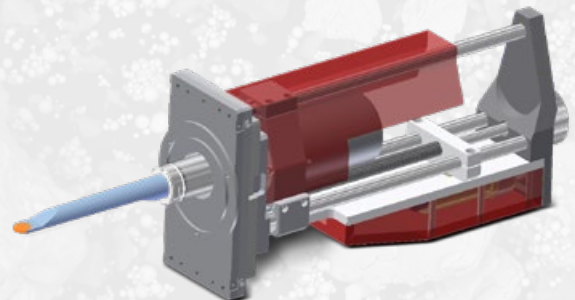
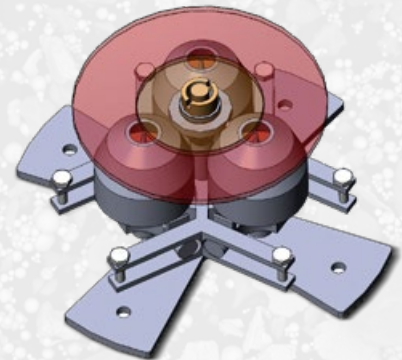
- New methods and instrumentation for milli- to nanoscale correlation and 3D imaging, dynamic in-situ characterization, and elemental analysis in materials and life sciences using **SEM, STEM, ESEM, A-ESEM, TEM, ETEM**, and other imaging methods.
- Mathematical-physical simulations, nano-manipulation and in-situ measurement, AI for electron microscopy.

Workshops:

- Scientific laboratories of ISI CAS
- Demonstration laboratories of Thermo Fisher Scientific, and TESCAN GROUP
- Delong Instruments, Alemnis, Imina Technologies, NenoVision, point electronic, and DENSsolutions will showcase its in-situ characterization tools, solutions, and services.

INVITED SPEAKERS:

- Karine Masenelli-Varlot
- Zahava Barkay
- Paul Verkade
- Nigel Browning
- Thomas Loerting
- Gerhard Dehm
- Peng-Han Lu



icem-brno.eu